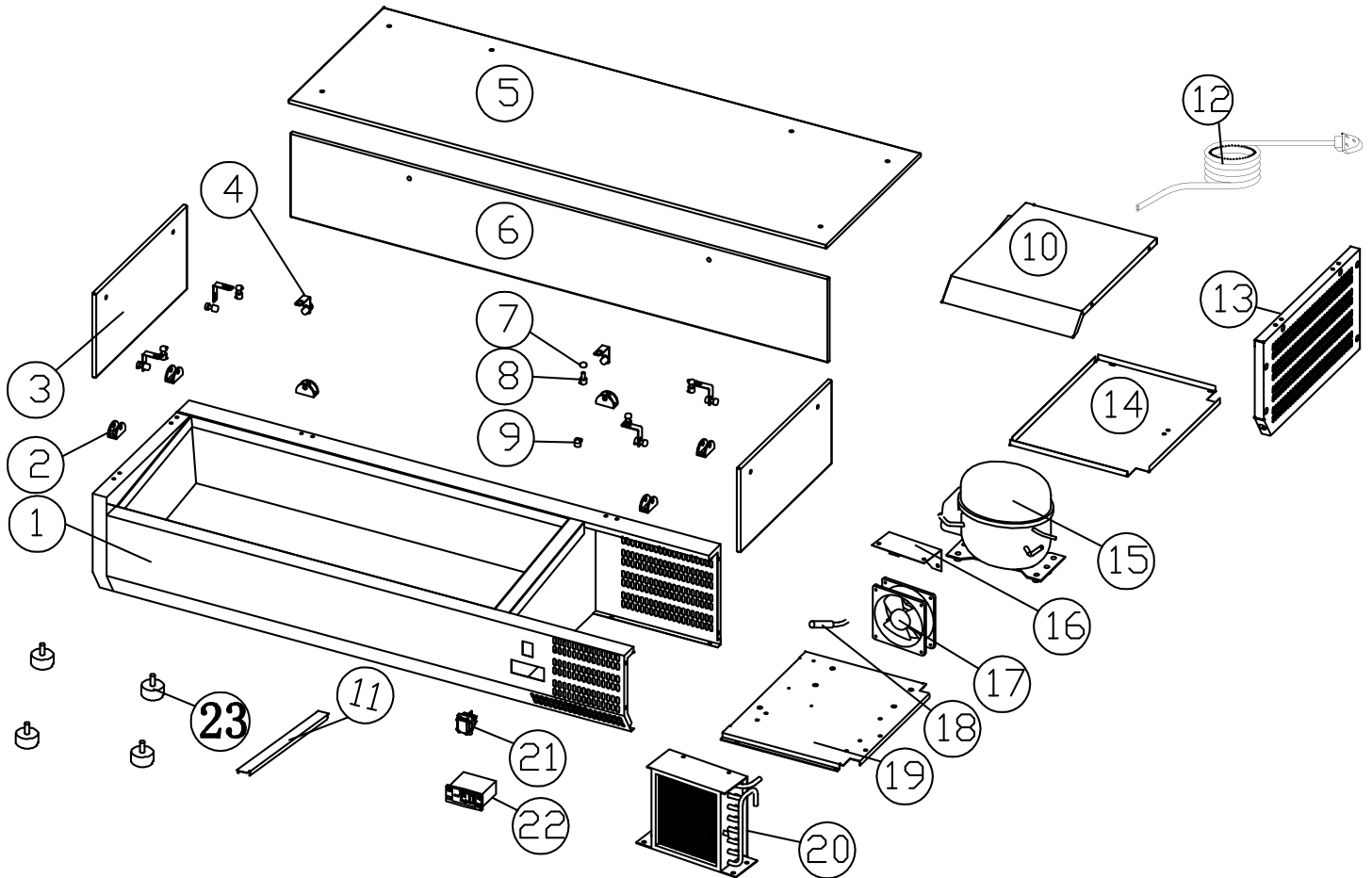


Parts Breakdown

Model RS-CN-0009-P 46680



Parts Breakdown

Model RS-CN-0009-P 46680

Item No.	Description	Position	Item No.	Description	Position	Item No.	Description	Position
AD812	Body for 46680	1	AD820	Stainless Steel Pan Cover for 46680	10	AD827	Unit Board for 46680	19
AE133	Glass Fixing Clip for 46680	2	AD817	Pan Support for 46680	11	AD828	Condenser for 46680	20
AF204	Side Glass for 46680	3	AD819	Power Cord for 46680	12	AD829	Main Switch for 46680	21
AE135	Glass Linking Bracket for 46680	4	AD821	Side Cover for 46680	13	AD818	Thermostat for 46680	22
AE149	Top Glass for 46680	5	AD822	Unit Plate for 46680	14	AD830	Adjustable Feet for 46680	23
AE150	Back Glass for 46680	6	AD823	Compressor for 46680	15	AF819	Complete Glass Sneeze Guard for 46680	
AE138	Glass Fixing Screw for 46680	7	AD824	Fan Connection Board for 46680	16	AH177	Hardware Kit for Sneeze Guard for 46680	
AE139	Glass Linking Screw for 46680	8	AD825	Condenser Fan for 46680	17			
AE140	Bushing for 46680	9	AD826	Sensor for 46680	18			